



Residual current operated circuit breaker, 2-pole, type A, In: 16 A, 30 mA, Un AC: 230 V

Figure similar

| Model  |   |
|--|---|
| product brand name   | SENTRON   |
| product designation  | RCCB  |
| design of the product  | Instantaneous   |
| product type designation   | 5SV3  |
| General technical data   |   |
| number of poles  | 2   |
| size of installation devices according to DIN 43880                    | 1   |
| mechanical service life (operating cycles) typical                     | 10 000  |
| short-circuit current of series fuse maximum permissible               | 63 A  |
| short-circuit current rating   | 10 kA   |
| switching function short-term delayed                                  | No  |
| overvoltage category   | III   |
| tripping fault current rated value                                     | 30 mA   |
| Supply voltage   |   |
| supply voltage for testing equipment minimum                           | 195 V   |
| value range of the supply voltage frequency                            | 50 Hz   |
| value range of the operating frequency                                 | 50 Hz   |
| value range of the supply voltage at AC                                | 230 V   |
| Protection class   |   |
| protection class IP  | IP20, if the distribution board is installed, with connected conductors |
| Breaking Capacity  |   |
| switching capacity current   |   |
| • according to IEC 61008-1 rated value                                 | 0.5 kA  |
| grid spacing   | 60 mm   |
| Dissipation  |   |
| power loss [W]   |   |
| • for rated value of the current at AC in hot operating state per pole | 0.4 W   |
| • maximum  | 0.8 W   |
| Product details  |   |
| product feature silicon-free   | Yes   |
| product extension installable supplementary devices                    | Yes   |
| Connections  |   |
| connectable conductor cross-section solid                              |   |
| • minimum  | 0.75 mm <sup>2</sup>  |
| • maximum  | 35 mm <sup>2</sup>  |
| connectable conductor cross-section stranded                           |   |
| • minimum  | 0.75 mm <sup>2</sup>  |

|  |                    |
|--|--------------------|
| <ul style="list-style-type: none"> <li>• maximum</li> </ul>                    | 35 mm <sup>2</sup> |
| tightening torque with screw-type terminals                                    |                    |
| <ul style="list-style-type: none"> <li>• minimum</li> <li>• maximum</li> </ul> | 2.5 N·m<br>3 N·m   |
| position of power supply cord  | top or bottom      |

### Mechanical Design

|                               |                |
|-------------------------------|----------------|
| height                        | 90 mm          |
| width                         | 36 mm          |
| depth                         | 70 mm          |
| installation depth            | 70 mm          |
| number of modular width units | 2              |
| fastening method              | DIN rail (REG) |
| mounting position             | any            |
| net weight                    | 204 g          |

### Environmental conditions

|  |                 |
|--|-----------------|
| ambient temperature during operation   |                 |
| <ul style="list-style-type: none"> <li>• minimum</li> <li>• maximum</li> </ul> | -25 °C<br>45 °C |
| ambient temperature during storage minimum                                     | -40 °C          |
| number of test cycles for environmental testing according to IEC 60068-2-30    | 28              |

### Environmental footprint

|  |          |
|--|----------|
| Environmental Product Declaration (EPD)                | Yes      |
| Global Warming Potential [CO2 eq] total                | 8.73 kg  |
| Global Warming Potential [CO2 eq] during manufacturing | 1.32 kg  |
| Global Warming Potential [CO2 eq] during operation     | 7.39 kg  |
| Global Warming Potential [CO2 eq] after end of life    | 0.017 kg |

### Approvals Certificates

#### General Product Approval



[Confirmation](#)



| General Product Approval | EMV | Test Certificates | other |
|--------------------------|-----|-------------------|-------|
|--------------------------|-----|-------------------|-------|



[Miscellaneous](#)



[Miscellaneous](#)

[Confirmation](#)

| other | Railway | Dangerous Good | Environment |
|-------|---------|----------------|-------------|
|-------|---------|----------------|-------------|

[Miscellaneous](#)

[Confirmation](#)

[Transport Information](#)



[Environmental Confirmations](#)

[Environmental Confirmations](#)

### Further information

#### Information on the packaging

<https://support.industry.siemens.com/cs/ww/en/view/109813875>

#### Information- and Downloadcenter (Catalogs, Brochures,...)

<http://www.siemens.com/lowvoltage/catalogs>

#### Industry Mall (Online ordering system)

<https://mall.industry.siemens.com/mall/en/en/Catalog/product?mlfb=5SV3311-6>

#### Service&Support (Manuals, Certificates, Characteristics, FAQs,...)

<https://support.industry.siemens.com/cs/ww/en/ps/5SV3311-6>

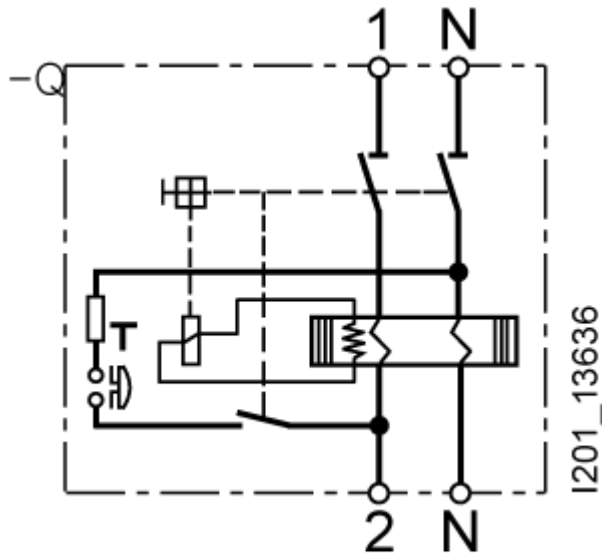
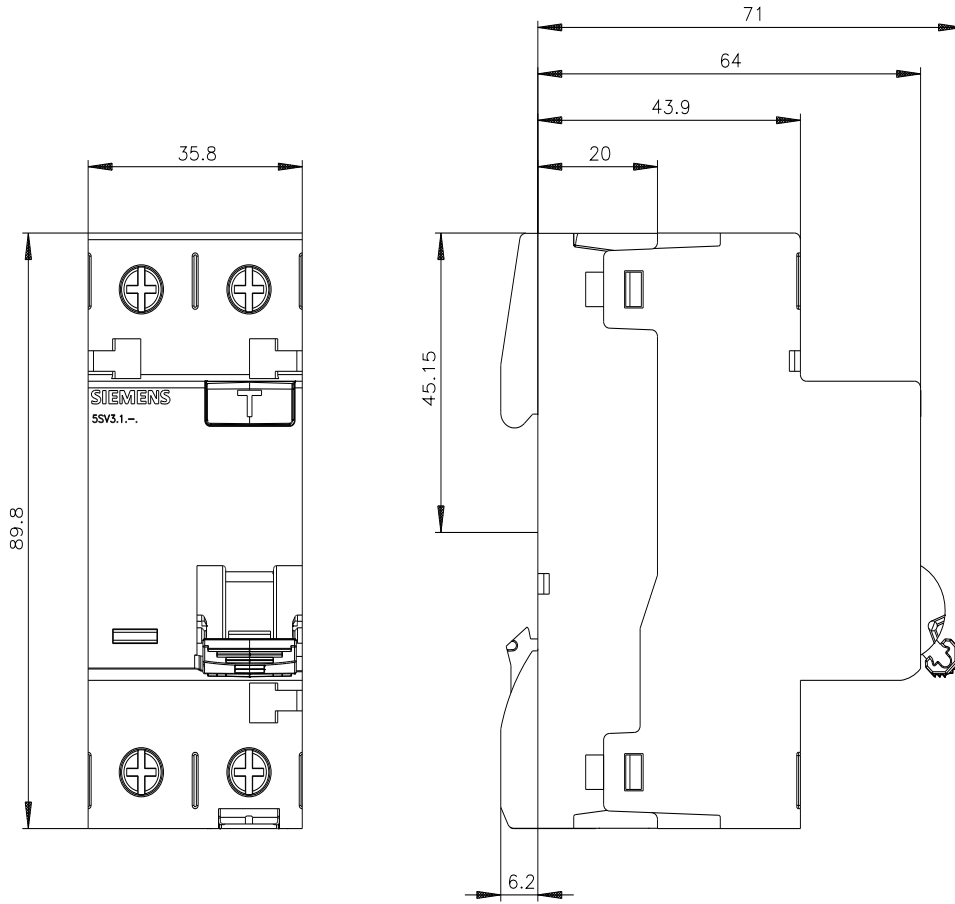
#### Image database (product images, 2D dimension drawings, 3D models, device circuit diagrams, ...)

[http://www.automation.siemens.com/bilddb/cax\\_en.aspx?mlfb=5SV3311-6](http://www.automation.siemens.com/bilddb/cax_en.aspx?mlfb=5SV3311-6)

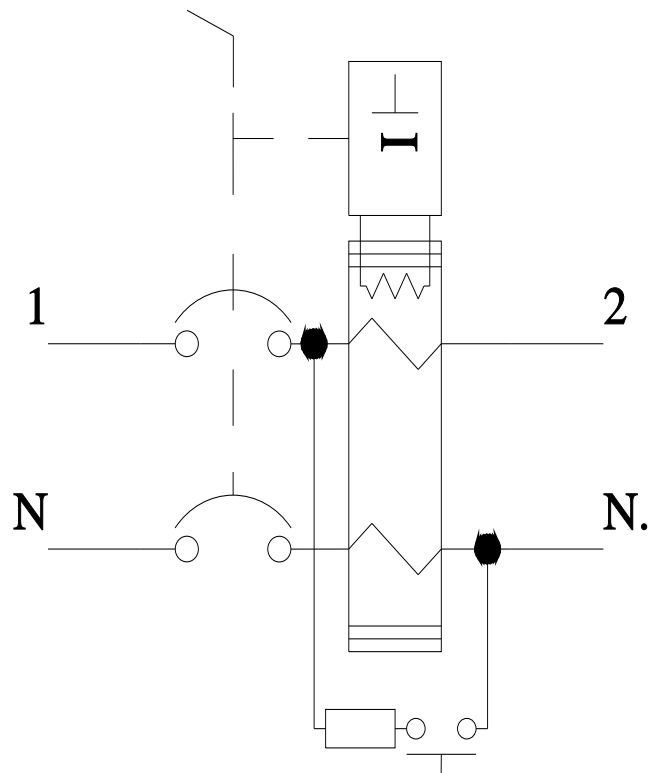
#### CAX-Online-Generator

<http://www.siemens.com/cax>

#### Tender specifications



# -CB



last modified:

3/12/2024 

