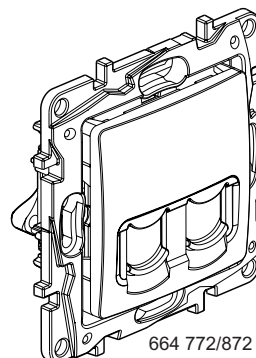
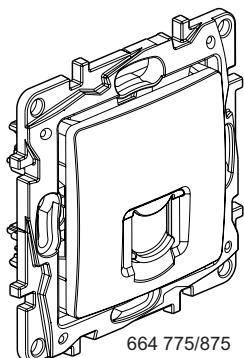


Niloé™ RJ sockets

Cat. No(s): 664 569/571/669/671
664 769/770/772/773/774/775/776/777
664 869/870/872/873/874/875/876/877



1. USE

Niloé provides a range of RJ sockets:

- Shielded sockets 360°C - STP - Cat. 6: multimedia, telephone, computer, television.

- 9-contact sockets FTP - Cat. 6: telephone, computer

Mechanisms to be fitted with finishing plates.

Flush-mounting or surface-mounting.

Fixed using screws or claws with claw accessory.

2. RANGE

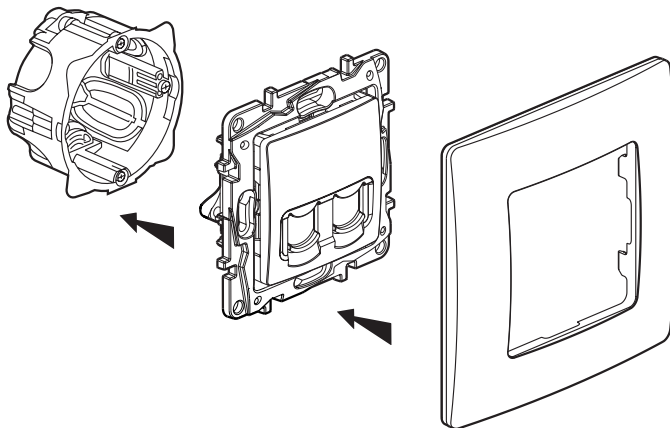
		Colour	
		White RAL 903	Ivory RAL 113
	RJ 11 + RJ 45 UTP	664 772*	664 872*
	UTP	664 773* 664 774*	664 873* 664 874*
	FTP	664 777*	664 877*
	STP	664 775* 664 776*	664 875* 664 876*

2. RANGE (continued)

		Colour	
		White RAL 903	Ivory RAL 113
	RJ 11 with claws	664 569	664 669
	RJ 11 with screws	664 769*	664 869*
	RJ 11 + RJ 11 with screws	664 770*	664 870*
	RJ 45 cat 5 UTP with claws	664 571	664 671

* Supplied with site protective cover

3. POSITIONING

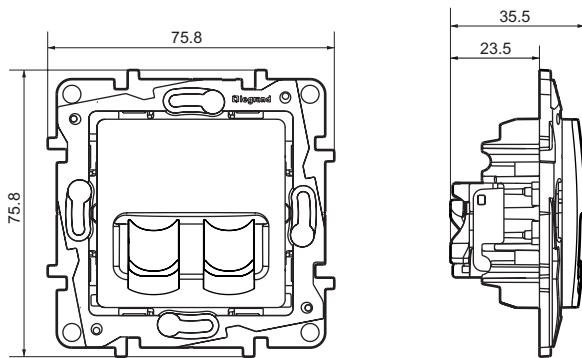


Niloé™ RJ sockets

Cat. No(s): 664 569/571/669/671
664 769/770/772/773/774/775/776/777
664 869/870/872/873/874/875/876/877

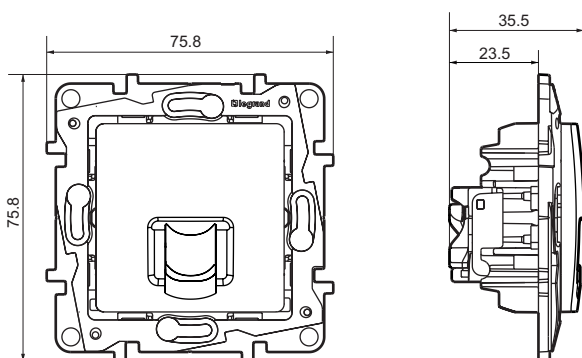
4. OVERALL DIMENSIONS

UTP - FTP



664 772/872

STP



664 773/774/775/776/777/873/874/875/876/877

5. TECHNICAL FEATURES

5.1 Mechanical features

IP: 21 D

IK: 04

5.2 Materials

Poly gloss appearance

Colour: White (RAL 903) and Ivory (RAL 113)

Material: - Plate ABS

- Socket outlet cover plate polycarbonate

- Halogen-free

Self-extinguishing: - 850°C/30 s for insulating parts holding live parts in place

- 650°C/30 s for other parts made of insulating materials

UV resistant

5.3 Climatic features

Storage and usage temperature: - 5°C to + 35°C

5. TECHNICAL FEATURES (continued)

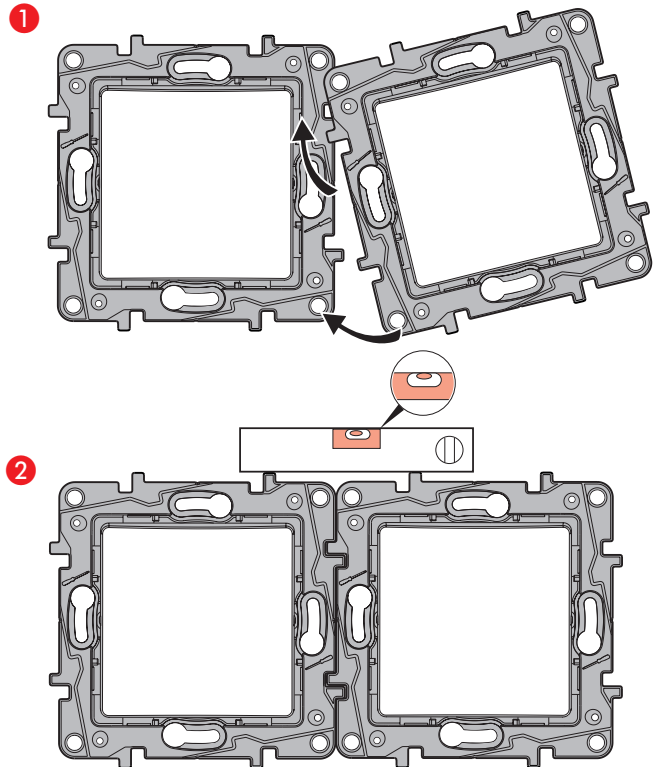
5.4 Features of the support

Material: Grey (RAL 737) halogen-free polycarbonate.

High impact resistance and torsional strength due to the thickness of the support.

Easy guidance for positioning the mechanisms.

Horizontal or vertical alignment without lifting up the mechanisms too much.



5.5 Features of the cover

Material: APET, polyester-based plate, very clear, highly resistant to impacts and chemical agents.

6. MAINTENANCE

Easy-clean (due to poly gloss surface).

7. STANDARDS AND APPROVALS

- CB certificate (pending)

- NF certificate (pending)

- BBJ, VDE, MEEI, GOST, TSE (planned)